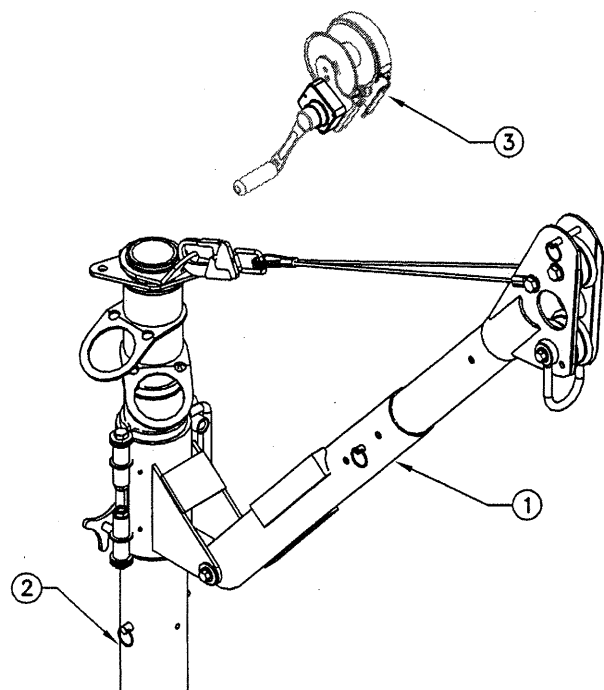


Model 8516693 includes the following:

Item	Part no.	Description
1	8516693	UCL Advanced Portable Fall-Arrest Anchor Post Davit Arm Assembly
accessories shown, but not included		
2	8516691	UCL Advanced PFAS Anchor Post
3	-----	Typical Winch/SRL w/ Appropriate Mounting Bracket



DESCRIPTION

The UCL Safety Systems Anchor Post Davit Arm attaches quickly, without the use of any tools, to the Portable Fall-Arrest System Anchor Post. Fitted with a suitable winch or self retracting lifeline, the Davit Arm can be used for a wide variety of access/egress, rescue, and material handling applications. Lightweight aluminum construction and durable powdercoat finish.

General Specifications:

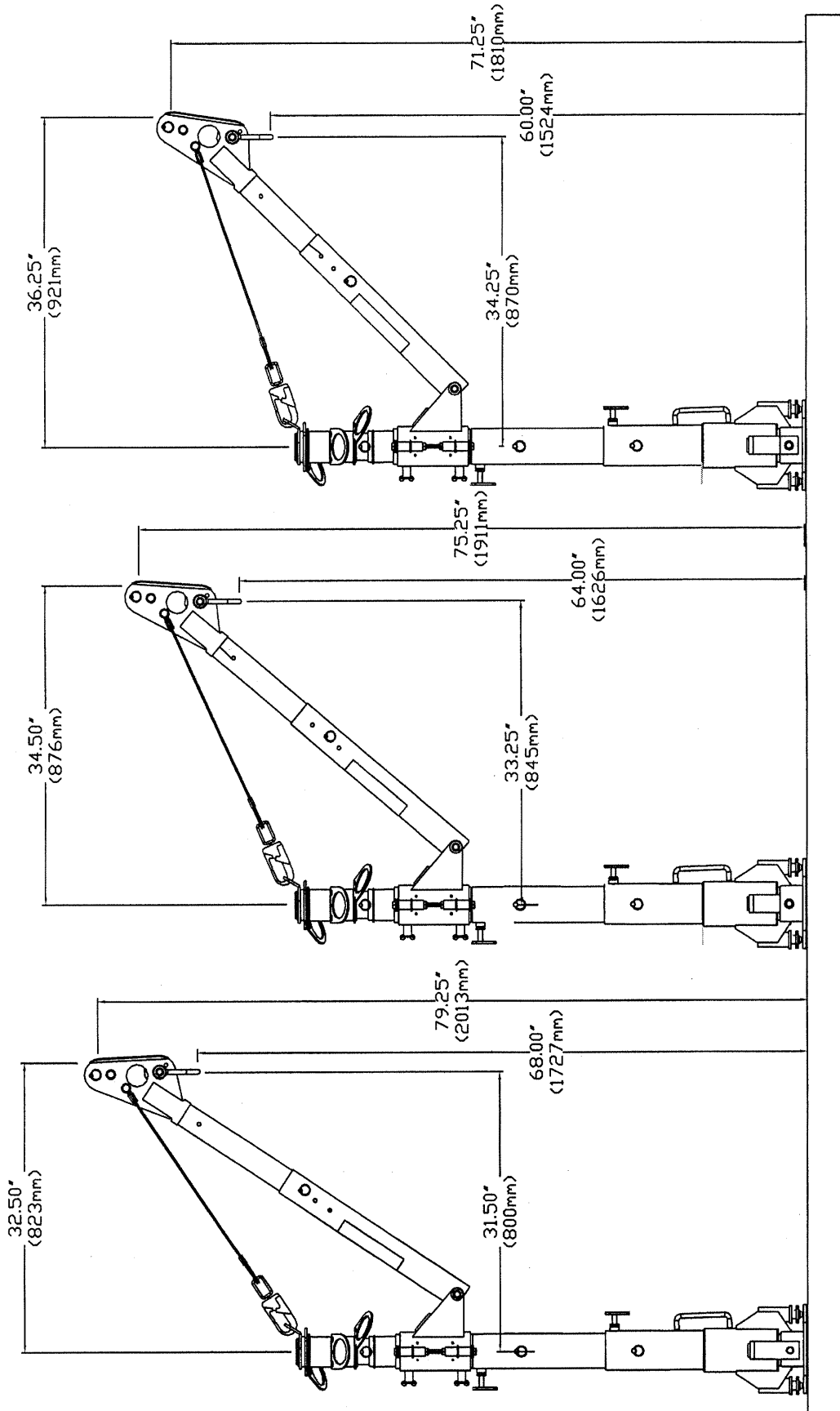
Working Load	
Material Handling	310 lb (141 kg)
Safety Factor	10:1
Rescue	310 lb (141 kg)
Safety Factor	10:1
Proof Load	
Outer Anchor Point	3100 lbs (13.8 kN)
Winch/SRL Bracket	3100 lbs (13.8 kN)
Maximum Allowed Arrest	900 lbs (4 kN)
Force (MAF) Rating of Shock Absorbers and Retractable Devices	
Test Numbers	UCT-357, 358, 359, 360, 361, 376, 378, 397, 398, 399, 400
Weight	20.5 lbs(9.3 kg)

Materials & Construction:

General Construction	Welded/Machined Aluminum
Weld Certification	CWB-47.1, CWB-47.2
Material (aluminum)	6061-T6 Aluminum
Cable	3/16" 7 X 19 Stainless Steel
Pully Wheel	Black Acetal
Finish(Aluminum Parts)	Powder Coat
Finish(Steel Parts)	CS-500 Zinc Plate
Bearing Material	PVC Pipe, ASTM-D-1785
Hardware	Minimum Grade 5, Zinc Plated
Plating Specification	ASTM Designation B633-85, Type II SC2, CS-500 Leachant/Sealant Process

Application Restrictions

1. This device is to be used with the UCL Safety Systems Advanced Series Portable Fall-Arrest System Anchor Post **ONLY**.
 2. Use of this device de-rates the Anchor post to a maximum of two(2) workers tie-off to the swivel tie-off rings.
 3. The installed Anchor Post **MUST BE** 72" (1830mm) or less from any edge where a fall may occur.
 4. Portable Fall-Arrest System Anchor Post **MUST BE** in a vertical position any time it is being used as a fall-arrest anchor post.
 5. Retractable devices and shock absorbers **MUST HAVE** a maximum arrest force (M.A.F.) rating of 900 lbs. (4kN) or less, and **MUST BE** installed and used in accordance with the manufacturer's instructions.
 6. Each installation **MUST BE** approved to local standards by a qualified engineer.
- Certification**



TO MOUNTING LEVEL